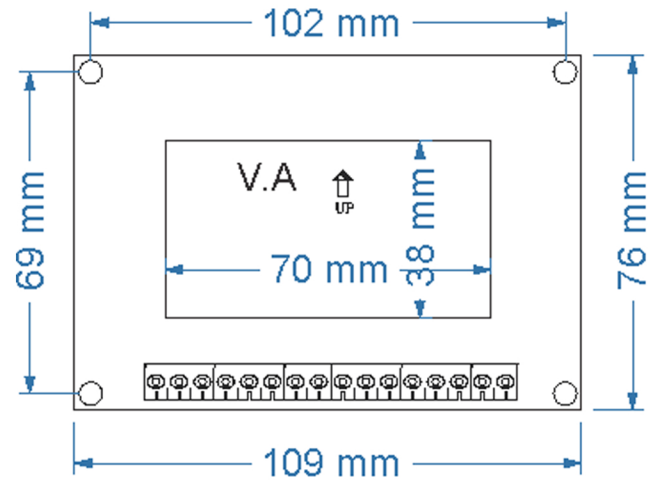


## EGT D300H GLCD



- Graphical LCD display / indicator
- Color : Blue
- Signal Interface: Seven Segment Code , BCD Code , Gray Code , Binary
- Display masege: P9-P1 , B9-B1 , B , P , L , G , R , -9-0 , 1-29 , DO , OVL
- Display status information
- Stand-by mode
- Input voltage:DC24V / 200 mA
- Dimensions : 109 x 76 x 28 mm



شرکت ایده گستران تازیک  
Eideh Gostaran Tazik Co.

